

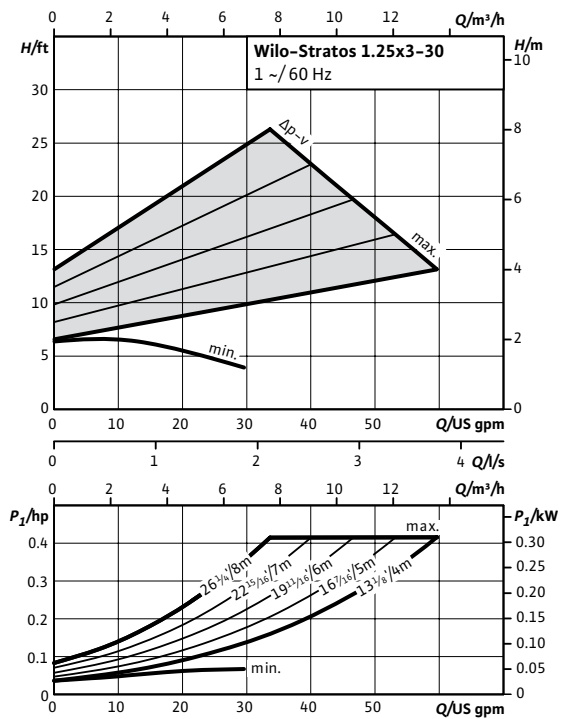
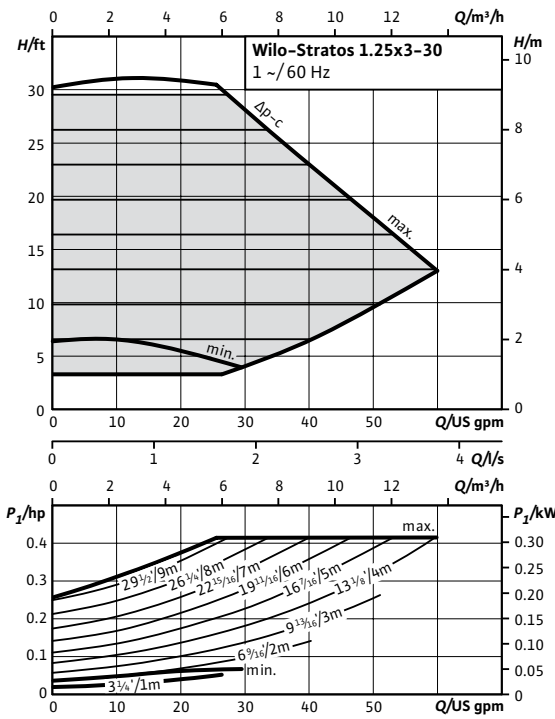


### Stratos 1.25x3-30

		Project:					
		Engineer:					
		Contractor:					
		Submitted By:			Date:		
		Approved By:			Date:		
Tag #	Model #	Flow	Head	Control Mode	Cycle	Phase	Voltage
	Stratos 1.25x3-30				60Hz	1	230



#### Technical Data

Liquid Temp Range	14°F to 230°F (-10°C to 110°C)
Max Temperature	104°F (40°C)
Min. Suction Pressure (122°F)	4.3 PSI
Min. Suction Pressure (203°F)	14.2 PSI
Min. Suction Pressure (230°F)	22.8 PSI

#### Materials of Construction

Pump Volute	Grey Cast Iron (EN-GJL-250)
Impeller	Engineered Composite (PPS - 40% GF)
Shaft	Stainless Steel (X46Cr13)
Bearing	Carbon, Metal Impregnated

#### IR Module Selection

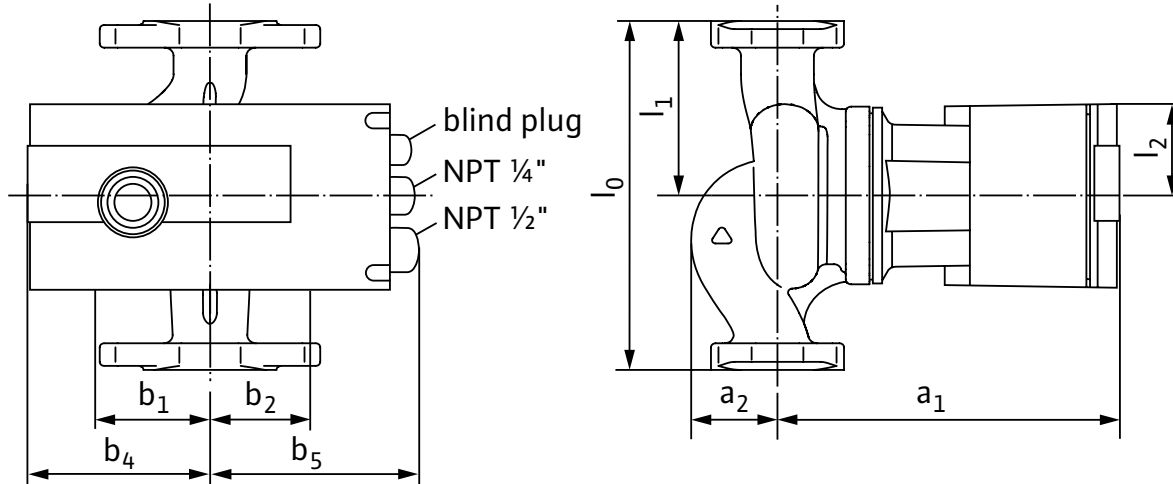
Module 1	Module
	BACnet / Dual Pump
	LONworks / Dual Pump
	SBM Run Signal / Ext. Off / Dual Pump
	SBM Run Signal / 0-10v / Dual Pump
	Ext. Min / 0-10v / Dual Pump
	Ext. Off / 0-10v / Dual Pump
	None

#### Applications

• Heating Systems	• Cooling Circuits
• Air Conditioning	• Hydronic Heating & Cooling
• Solar Systems	• Geothermal Systems

Approval Stamp

### Dimensions & Weights

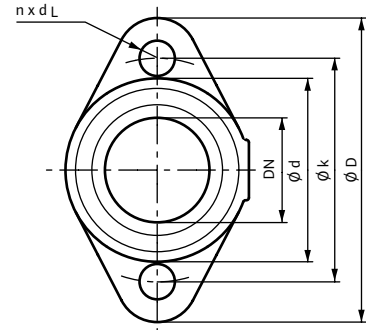


### Dimensions and Weights

Model	Dimensions - Inches (mm)									Weight - lbs (kg)
	$l_0$	$l_1$	$l_2$	$a_1$	$a_2$	$b_1$	$b_2$	$b_4$	$b_5$	
Stratos 1.25x3-30	6½	4¼	2 <sup>3/16</sup>	8 <sup>1/16</sup>	1 <sup>7/8</sup>	2½	2 <sup>1/8</sup>	4 <sup>3/16</sup>	5 <sup>11/16</sup>	14.99
	(216)	(108)	(55)	(204)	(48)	(63)	(54)	(106)	(145)	(6.8)

### Flange Dimensions

Dimensions - Inches (mm)				
Dia.	$\phi D$	$\phi d$	$\phi k$	$n \times d_L$
1¼"	4¾	2 <sup>7/8</sup>	3½	2 x <sup>9/16</sup>
	(121)	(73)	(89)	(2 x 14)



### ECM Motor Data

Model	hp	Speed	Watts	FLA	FLA
		RPM	W	1~230V	3~230V
Stratos 1.25x3-30	0.268	1800-4800	16-310	0.16-1.37	0.16-1.37

