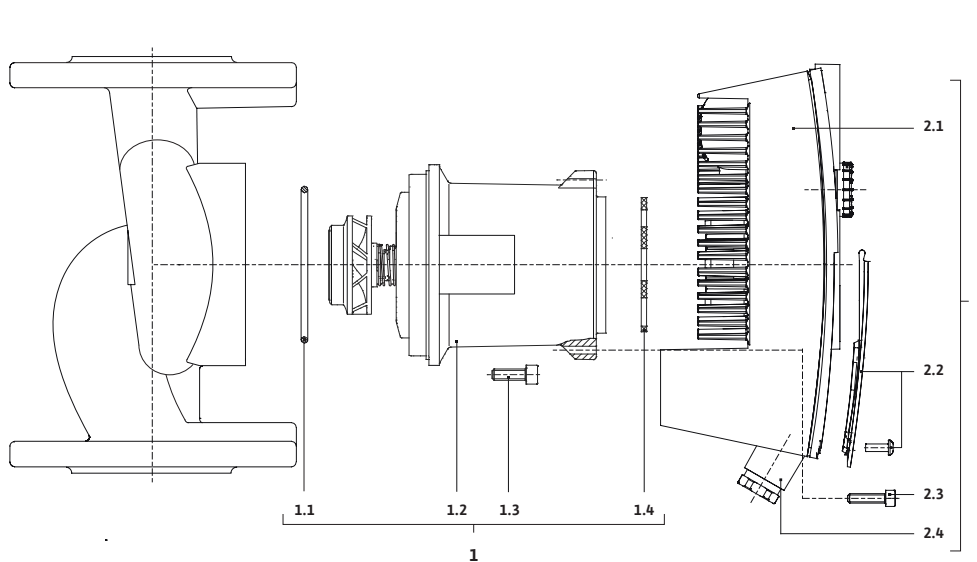


### High Efficiency Circulators



#### 1. Motor Kit

Includes:

- 1.1 O-Ring
- 1.2 Rotating Assembly
- 1.3 Drain Plug
- 1.4 Module Gasket

#### 2. Power Head Kit

Includes:

- 1.4 Module Gasket
- 2.1 Control Module
- 2.2 Face Plate & Screw
- 2.3 Mounting Screw
- 2.4 IP Connection

### Stratos – Spare Parts

Model	Article Number	Phase	Voltage	Motor Kit SW >6.0 (1)	List Price USD	Power Head Kit (2)	List Price USD	Motor + Power Head Kit (1) & (2)* List Price USD
<b>Stratos 1.25 x 3-20</b>	2085589	1	230	2112755	<b>600</b>	2112756	<b>780</b>	-
<b>Stratos 1.25 x 3-25</b>	2085590	1	230	2112757	<b>600</b>	2112758	<b>780</b>	-
<b>Stratos 1.25 x 3-30</b>	2085591	1	230	2112759	<b>780</b>	2112760	<b>1200</b>	-
<b>Stratos 1.25 x 3-35</b>	2085592	1	230	2112761	<b>780</b>	2112762	<b>1200</b>	-
<b>Stratos 1.5 x 3-40</b>	2085593	1	230	2112763	<b>1470</b>	2112764	<b>1400</b>	-
<b>Stratos 2 x 3-35</b>	2085594	1	230	2112765	<b>1470</b>	2112766	<b>1400</b>	-
<b>Stratos 3 x 3-30</b>	2085595	1	230	2164019*	<b>2300</b>	2112768	<b>1900</b>	<b>3300</b>
<b>Stratos 3 x 3-40</b>	2085596	1	230	2164020*	<b>2800</b>	2112770	<b>2100</b>	<b>3900</b>

\*\*Motor Kits 2164019 and 2164020 are NOT compatible with Power Module SW ≤6.0. In cases of motor replacement with a power module with SW ≤6.0, both motor and power module must be replaced