

Basic Parts Drawing

T17K with Various Pump Ends

Technical changes reserved !



0100 0200 0300
Repair Kits 1, 2 & 3

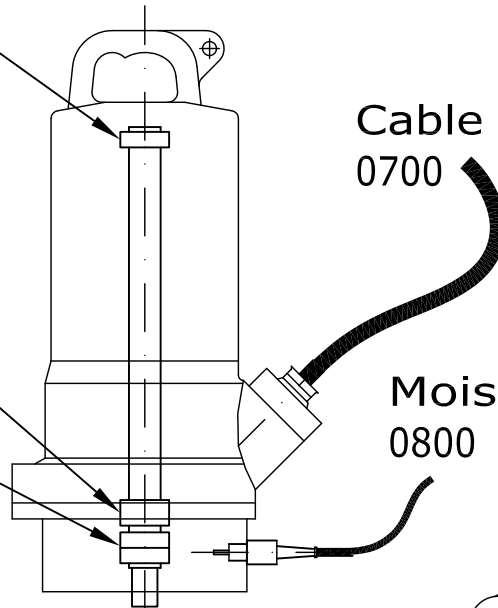
Upper Bearing 0400

Lower Bearing 0500

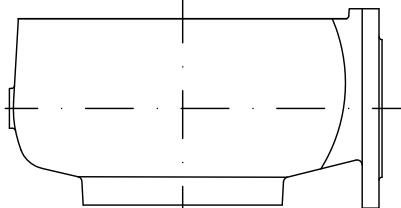
EBS Mechanical Seal 0600

Cable Assembly 0700

Moisture Probe 0800

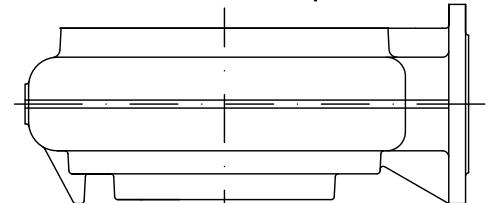


FA08.52W Pump End



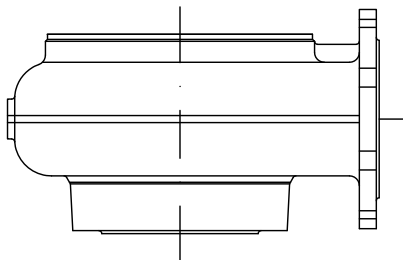
0900 Volute
1000 Impeller

FA08.64E Pump End



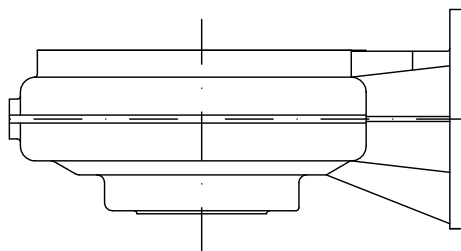
1100 Volute
1200 Impeller
1300 Mobile Wear Ring
1400 Stationary Wear Ring

FA10.51E Pump End



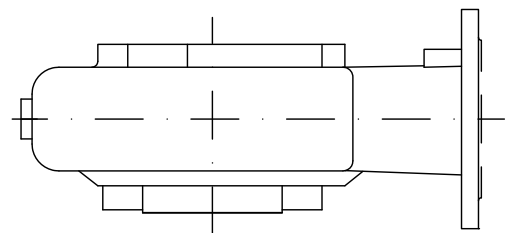
1500 Volute
1600 Impeller
1700 Mobile Wear Ring
1800 Stationary Wear Ring

FA10.33E Pump End



1900 Volute
2000 Impeller
2100 Mobile Wear Ring
2200 Stationary Wear Ring

FA10.41E Pump End



2300 Volute
2400 Impeller



Offer

Page: 1 / 8

Wilo USA
86 Genesis Parkway
Thomasville GA 31792

Quotation Number
201029727
Purchase order n°/Date:
master T17
March 17, 2015

Dear Sirs,

Delivery terms: FOB Free on Board
FACTORY

We thank you for your request and offer you the following exclusively on the basis of our General Terms and Conditions for the Supply of Goods and Services. If you don't know our Terms you can find them on the internet at www.wilo-usa.com or can order them via phone with number +1 888-945-6872. Please check inventory any time via: www.clearlyinventory.com Any & all orders should be sent to order.processing@wilo-usa.com

Item	Part n°			Currency: USD
Quant.	Unit	Designation	Price / (per)	Value
0100	6016247			
1.00	PC	Rep.Kit 1 T172, T17K Vit 1 x O-ring set complete Delivery date: 03/24/2015 Route: A01007 WUS: General Delivery arrangement: on Stock	List Price 195.00 /1	195.00
0200	6016019			
1.00	PC	Rep.Kit 2 T172-./8-12, T17KVit 1 x O-ring set complete 1 x Bearing set 1 x Mechanical seal 1 x 35 x 1.5 snap ring Delivery date: 03/24/2015 Route: A01007 WUS: General Delivery arrangement: 1 Months	List Price 3,975.00 /1	3,975.00



Offer

Item	Part n°				Currency: USD
Quant.	Unit	Designation		Price / (per)	Value
0201	6016020				
1.00	PC	Rep.Kit 2 T172-./15-24, T17K Vit 1 x O-ring set complete 1 x Bearing set 1 x Mechanical seal 1 x 35 x 1.5 snap ring Delivery date: 03/24/2015 Route: A01007 WUS: General Delivery arrangement: 1 Months		List Price 3,975.00 /1	3,975.00
0300	6016048				
1.00	PC	Rep.Kit 3 T172, T17K Vit 1 x O-ring set complete 1 x Mechanical seal 1 x 35 x 1.5 snap ring Delivery date: 03/24/2015 Route: A01007 WUS: General Delivery arrangement: 1 Months		List Price 3,315.00 /1	3,315.00
0400	6008993				
1.00	PC	ball bearing 6206 Delivery date: 03/24/2015 Route: A01007 WUS: General Delivery arrangement: on Stock		List Price 98.00 /1	98.00
0500	6008981				
1.00	PC	ball bearing 3207 (7.4HP & below) Delivery date: 04/29/2015 Route: A01007 WUS: General Delivery arrangement: on Stock		List Price 391.00 /1	391.00
0501	6008978				
1.00	PC	Ball Bearing 3307 - 10HP & above Delivery date: 04/29/2015 Route: A01007 WUS: General Delivery arrangement: on Stock		List Price 527.00 /1	527.00
0600	6037442				
1.00	PC	shaft sealing H35/2 54.19576 1.4021 Delivery date: 04/29/2015 Route: A01007 WUS: General Delivery arrangement: on Stock		List Price 2,169.00 /1	2,169.00

Offer

Item	Part n°			Price / (per)	Currency: USD
Quant.	Unit	Designation			Value
0700	6001433				
1.00	PC	cable trumpet 42T 15m NSS 7x1,5 KIT		List Price 848.00 /1	848.00
		Delivery date: 04/29/2015			
		Route: A01007 WUS: General			
		Delivery arrangement: on Stock			
0800	6042313				
1.00	PC	pencil electrode G1/2 15m KIT		List Price 665.00 /1	665.00
		Delivery date: 04/29/2015			
		Route: A01007 WUS: General			
		Delivery arrangement: on Stock			
0900	6029058				
1.00	PC	pump housing Q80 52.17901Q GG KIT		List Price 1,322.00 /1	1,322.00
		Delivery date: 04/29/2015			
		Route: A01007 WUS: General			
		Delivery arrangement: 2 Weeks			
1000	6013305				
1.00	PC	impeller FA08.52W/10.22W-170 GG SVA		List Price 2,765.00 /1	2,765.00
		Delivery date: 04/29/2015			
		Route: A01007 WUS: General			
		Delivery arrangement: 2 Weeks			
		<u>With following configuration:</u>			
		<u>hydraulic</u>			
		hydraulic type: FA 10.22W	Impeller diameter: 170.00 mm		
		material impeller: GG 25 (0.6025)			
1001	6013321				
1.00	PC	impeller FA08.52W/10.22W-200 GG SVA		List Price 2,765.00 /1	2,765.00
		Delivery date: 04/29/2015			
		Route: A01007 WUS: General			
		Delivery arrangement: 2 Weeks			
		<u>With following configuration:</u>			
		<u>hydraulic</u>			
		hydraulic type: FA 10.22W	Impeller diameter: 200.00 mm		
		material impeller: GG 25 (0.6025)			
1002	6013317				
1.00	PC	impeller-W D.230 53.17296 GG		List Price 2,765.00 /1	2,765.00
		Delivery date: 04/29/2015			
		Route: A01007 WUS: General			
		Delivery arrangement: 2 Weeks			



Offer

Item	Part n°	Unit	Designation	Price / (per)	Currency: USD Value
<u>With following configuration:</u>					
<i>hydraulic</i>					
hydraulic type: FA 10.22W			Impeller diameter: 230.00 mm		
material impeller: GG 25 (0.6025)					
1100	6064953				
1.00	PC		pump housing Q80 6050499 GG KIT	List Price 4,523.00 /1	4,523.00
Delivery date: 04/29/2015					
Route: A01007 WUS: General					
Delivery arrangement: 2 Weeks					
1200	6024924				
1.00	PC		impeller FA08.64E/T 17	List Price 3,210.00 /1	3,210.00
Delivery date: 04/29/2015					
Route: A01007 WUS: General					
Delivery arrangement: 2 Weeks					
<u>With following configuration:</u>					
<i>hydraulic</i>					
hydraulic type: FA 08.64E			Impeller diameter: 278.00 mm		
material impeller: GGG 50 (0.7050)			material impeller ring: 1.4462		
1300	6009354				
1.00	PC		mobile wear ring D.121/115x23 54.1686 1.	List Price 842.00 /1	842.00
Delivery date: 04/29/2015					
Route: A01007 WUS: General					
Delivery arrangement: on Stock					
1400	6009526				
1.00	PC		neck ring D.138x20 54.2966 1.4308	List Price 926.00 /1	926.00
Delivery date: 04/29/2015					
Route: A01007 WUS: General					
Delivery arrangement: on Stock					
1500	6035789				
1.00	PC		pump housing Q100 51.10683 GG KIT	List Price 1,642.00 /1	1,642.00
Delivery date: 04/29/2015					
Route: A01007 WUS: General					
Delivery arrangement: 2 Weeks					
1600	6014678				
1.00	PC		impeller-E D.195 53.11948 GG	List Price 2,306.00 /1	2,306.00
Delivery date: 04/29/2015					
Route: A01007 WUS: General					
Delivery arrangement: 2 Weeks					



O f f e r

Item	Part n°	Quant.	Unit	Designation	Price / (per)	Currency: USD	Value
1601	6014686						
	1.00	PC		impeller-E D.187 53.11948 GG	List Price 2,306.00 /1		2,306.00
				Delivery date: 04/29/2015			
				Route: A01007 WUS: General			
				Delivery arrangement: 2 Weeks			
1602	6014683						
	1.00	PC		impeller-E D.179 53.11948 GG	List Price 2,306.00 /1		2,306.00
				Delivery date: 04/29/2015			
				Route: A01007 WUS: General			
				Delivery arrangement: 2 Weeks			
1603	6014677						
	1.00	PC		impeller-E D.171 53.11948 GG	List Price 2,306.00 /1		2,306.00
				Delivery date: 04/29/2015			
				Route: A01007 WUS: General			
				Delivery arrangement: 2 Weeks			
1604	6014670						
	1.00	PC		impeller-E D.163 53.11948 GG	List Price 2,306.00 /1		2,306.00
				Delivery date: 04/29/2015			
				Route: A01007 WUS: General			
				Delivery arrangement: 2 Weeks			
1605	6014668						
	1.00	PC		impeller-E D.155 53.11948 GG	List Price 2,306.00 /1		2,306.00
				Delivery date: 04/29/2015			
				Route: A01007 WUS: General			
				Delivery arrangement: 2 Weeks			
1606	6014605						
	1.00	PC		impeller-E D.147 53.11948 GG	List Price 2,306.00 /1		2,306.00
				Delivery date: 04/29/2015			
				Route: A01007 WUS: General			
				Delivery arrangement: 2 Weeks			
1700	6066890						
	1.00	PC		mobile wear ring D.120,2/115x23	List Price 842.00 /1		842.00
				Delivery date: 04/29/2015			
				Route: A01007 WUS: General			
				Delivery arrangement: on Stock			
1800	6009526						
	1.00	PC		neck ring D.138x20 54.2966 1.4308	List Price 926.00 /1		926.00
				Delivery date: 04/29/2015			



O f f e r

Item	Part n°		Price / (per)	Currency: USD
Quant.	Unit	Designation		Value
		Route: A01007 WUS: General Delivery arrangement: on Stock		
1900	6064954			
1.00	PC	pump housing Q100 6050500 GG KIT	List Price 1,722.00 /1	1,722.00
		Delivery date: 04/29/2015		
		Route: A01007 WUS: General Delivery arrangement: 2 Weeks		
2000	6064515			
1.00	PC	impeller-E D.249 6050501 GGG	List Price 2,643.00 /1	2,643.00
		Delivery date: 04/29/2015		
		Route: A01007 WUS: General Delivery arrangement: 2 Weeks		
2001	6064520			
1.00	PC	impeller-E D.238 6050501 GGG	List Price 2,643.00 /1	2,643.00
		Delivery date: 04/29/2015		
		Route: A01007 WUS: General Delivery arrangement: 2 Weeks		
2002	6064519			
1.00	PC	Impeller-E D.223 6050501 GGG	List Price 2,643.00 /1	2,643.00
		Delivery date: 04/29/2015		
		Route: A01007 WUS: General Delivery arrangement: 2 Weeks		
2003	6064518			
1.00	PC	impeller-E D.208 6050501 GGG	List Price 2,643.00 /1	2,643.00
		Delivery date: 04/29/2015		
		Route: A01007 WUS: General Delivery arrangement: 2 Weeks		
2004	6064517			
1.00	PC	impeller-E D.194 6050501 GGG	List Price 2,643.00 /1	2,643.00
		Delivery date: 04/29/2015		
		Route: A01007 WUS: General Delivery arrangement: 2 Weeks		
2005	6064516			
1.00	PC	impeller-E D.180 6050501 GGG	List Price 2,643.00 /1	2,643.00
		Delivery date: 04/29/2015		
		Route: A01007 WUS: General Delivery arrangement: 2 Weeks		



O f f e r

Item	Part n°	Quant.	Unit	Designation	Price / (per)	Currency: USD	Value
2100	6009355	1.00	PC	mobile wear ring D.99,5/92x18 54.1518 1. Delivery date: 04/29/2015 Route: A01007 WUS: General Delivery arrangement: on Stock	List Price 461.00 /1		461.00
2200	6009406	1.00	PC	neck ring D.110x18 54.1519 1.4308 Delivery date: 04/29/2015 Route: A01007 WUS: General Delivery arrangement: on Stock	List Price 490.00 /1		490.00
2300	6000603	1.00	PC	pump housing Q100 51.13377 GG KIT Delivery date: 04/29/2015 Route: A01007 WUS: General Delivery arrangement: 2 Weeks	List Price 2,021.00 /1		2,021.00
2400	6014404	1.00	PC	impeller-E D.203 53.13586 GG Delivery date: 04/29/2015 Route: A01007 WUS: General Delivery arrangement: 2 Weeks	List Price 1,553.00 /1		1,553.00
2401	6014402	1.00	PC	impeller-E D.193 53.13586 GG Delivery date: 04/29/2015 Route: A01007 WUS: General Delivery arrangement: 2 Weeks	List Price 1,553.00 /1		1,553.00
2402	6014395	1.00	PC	impeller-E D.183 53.13586 GG Delivery date: 04/29/2015 Route: A01007 WUS: General Delivery arrangement: 2 Weeks	List Price 1,553.00 /1		1,553.00
2403	6014389	1.00	PC	impeller-E D.173 53.13586 GG Delivery date: 04/29/2015 Route: A01007 WUS: General Delivery arrangement: 2 Weeks	List Price 1,553.00 /1		1,553.00
2404	6014388	1.00	PC	impeller-E D.163 53.13586 GG Delivery date: 04/29/2015	List Price 1,553.00 /1		1,553.00



O f f e r

Item	Part n°		Price / (per)	Currency: USD
Quant.	Unit	Designation		Value
		Route: A01007 WUS: General		
		Delivery arrangement: 2 Weeks		
2405	6014387			
1.00	PC	impeller-E D.153 53.13586 GG	List Price 1,553.00 /1	1,553.00
		Delivery date: 04/29/2015		
		Route: A01007 WUS: General		
		Delivery arrangement: 2 Weeks		
Grand Total		USD		84,698.00