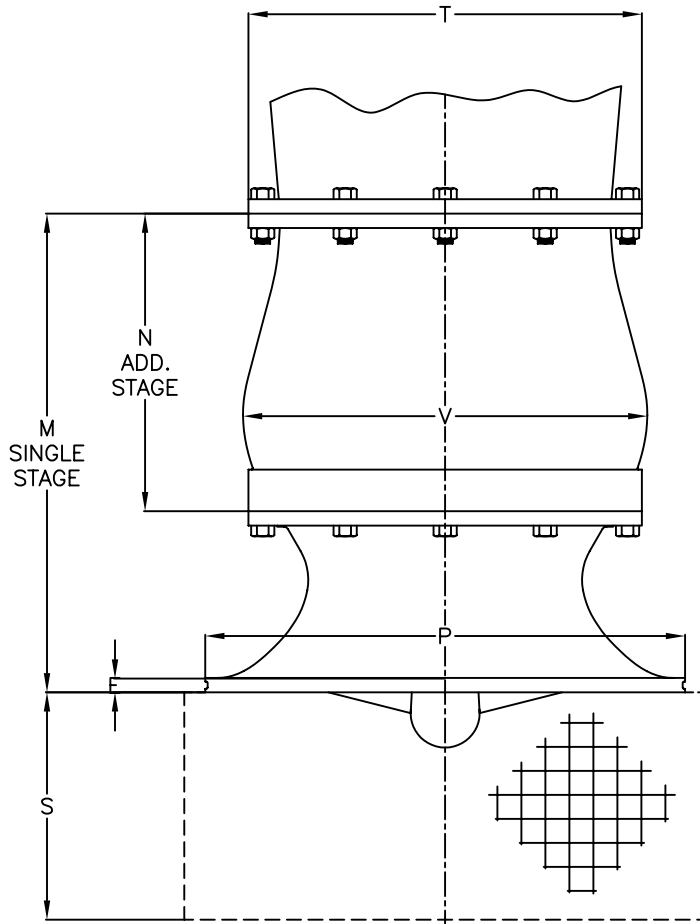


# MF MIXED FLOW DIMENSIONAL INFORMATION



BOWL SIZE	M	N	P	S	T	V
8	13.000	8.000	12.000	5.000	11.500	10.125
10	16.500	10.000	14.000	7.000	13.375	12.625
12	19.750	12.000	17.000	8.000	16.375	15.063
14	23.000	14.000	19.875	9.000	18.625	17.563
16	26.500	16.000	22.500	10.000	20.750	20.063
18	29.750	18.000	25.500	11.000	23.000	22.500
20	33.000	20.000	28.500	12.000	25.375	25.000
24	39.500	24.000	33.500	12.000	30.000	29.875
30	49.500	30.000	42.000	14.500	36.000	37.125
36	59.500	36.000	50.500	16.000	42.625	44.500
42	59.000	42.000	59.000	18.000	49.250	51.750
50	82.000	50.000	70.000	20.000	58.500	62.000
54	88.500	54.000	76.000	24.000	62.500	67.000

BOWL SIZE	BOWL SHAFT SIZE	WEIGHT OF ROTATING PARTS PER STAGE	THRUST CONSTANT "K"	**WR? PER STAGE (LB. FT.)?	*MAXIMUM SPHERE SIZE		WEIGHTS FIRST STAGE	WEIGHTS ADD'L STAGE
					LS 5V PS 6V	MS 5V PS 5V		
8	1"	12LBS	14	0.32	7/8"	1 1/4"	114LBS	64LBS
10	1 1/2"	31LBS	21	0.96	1 1/4"	1 5/8"	195LBS	124LBS
12	1 11/16"	44LBS	31	2.30	1 5/8"	2"	290LBS	160LBS
14	1 15/16"	70LBS	42	4.80	1 7/8"	2 3/8"	415LBS	255LBS
16	2 7/16"	120LBS	55	10.60	2 1/8"	2 5/8"	620LBS	365LBS
18	2 7/16"	135LBS	70	17.00	2 3/8"	3"	775LBS	465LBS
20	2 11/16"	185LBS	87	29.00	2 3/4"	3 3/8"	1030LBS	640LBS
24	2 11/16"	290LBS	125	76.00	3 1/4"	4"	1780LBS	1125LBS
30	3 7/16"	550LBS	194	222	4"	5"	2750LBS	1810LBS
36	4"	950LBS	282	560	4 3/4"	6"	4500LBS	2900LBS
42	4 1/2"	1300LBS	384	1060	5 5/8"	7"	6300LBS	4050LBS
50	5"	1800LBS	542	2590	6 3/4"	8 1/4"	11600LBS	7650LBS
54	5 1/2"	2500LBS	630	4100	39360	7 1/8"	13000LBS	9000LBS

\* MAXIMUM SPHERE SIZES LISTED ARE NOT A GUARANTEE THAT PUMPS WILL HANDLE LIQUID CONTAINING SOLIDS OF THESE SIZES.

\*\* BASED ON BRONZE IMPELLERS

**NOTES:**

1. ALL DIMENSIONS ARE IN INCHES AND ± 0.375.
2. NOT FOR CONSRUCTION PURPOSES. (UNLESS CERTIFIED BY ENGINEERING)